

Phone: 916.683.7111  
Fax: 916.627.4400

www.elkgrovecity.org

PUBLIC WORKS  
8401 Laguna Palms Way  
Elk Grove, California 95758



## Standards Update Transmittal

Reference Number: 2024v-23  
Standards: Standard Drawing, T-12

### Update:

1. Modification to Standard Drawing:
  - a. T-12 CONCRETE FOUNDATION FOR TYPE P CONTROLLER CABINET AND TYPE III SERVICE CABINET – Revised drawing to show dual meter service entrance now for traffic signals now used by City.
  - b. Increased size of concrete pad for drawing consistency and maintenance purposes similar to Caltrans Standard Plans.
  - c. Added electrical pull boxes which were required as part of service entrance and controller installation but not previously shown.

### Effect of Update:

1. This modification is being made to update the service entrance requirements for a dual meter service panel currently being required and used by the City for traffic signal installations.
2. Increase in pad size is for safety and maintenance reasons when working on either panel similar to Caltrans Standard drawing, and includes required oversize pull boxes.

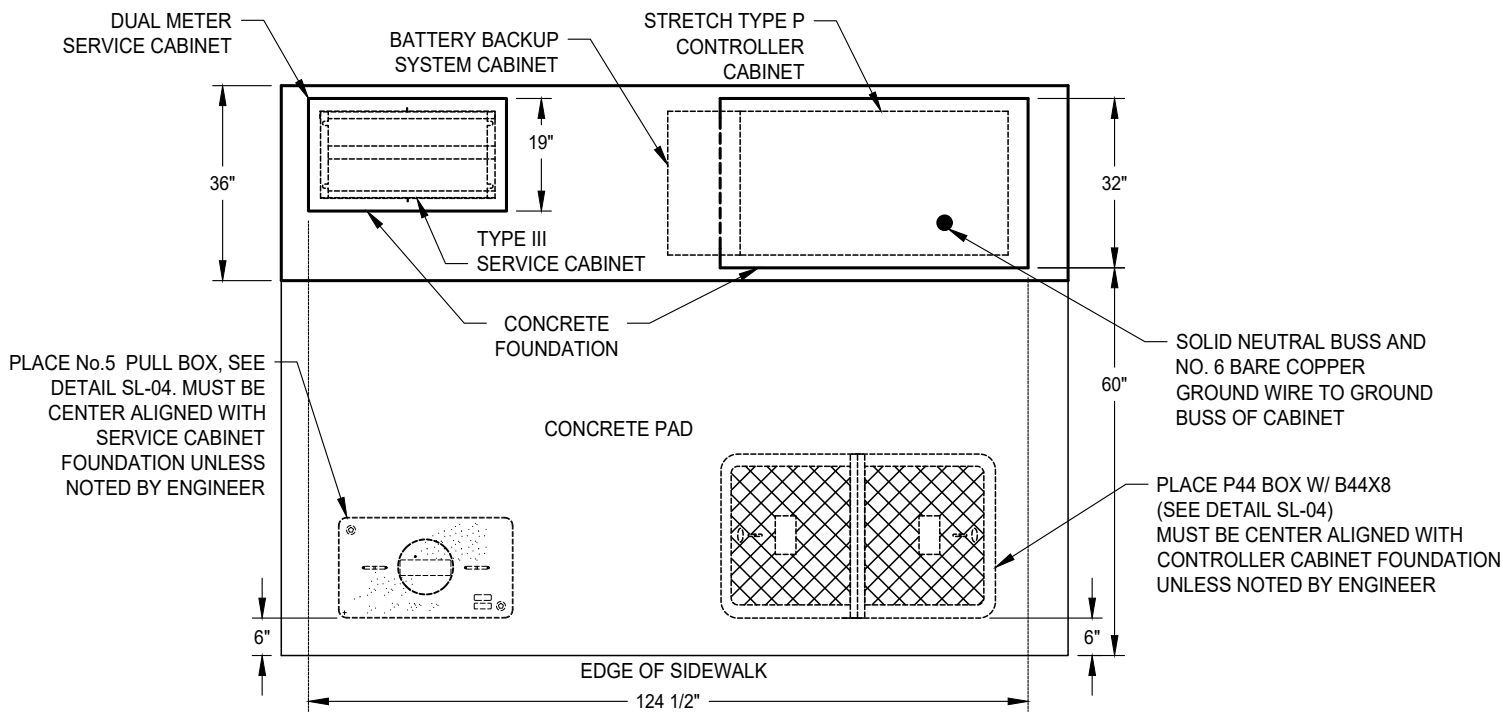
Request for Update Initiated By: James Ashby, TE, TE Manager

Update Reviewed for Conformity and Consistency to Standards:

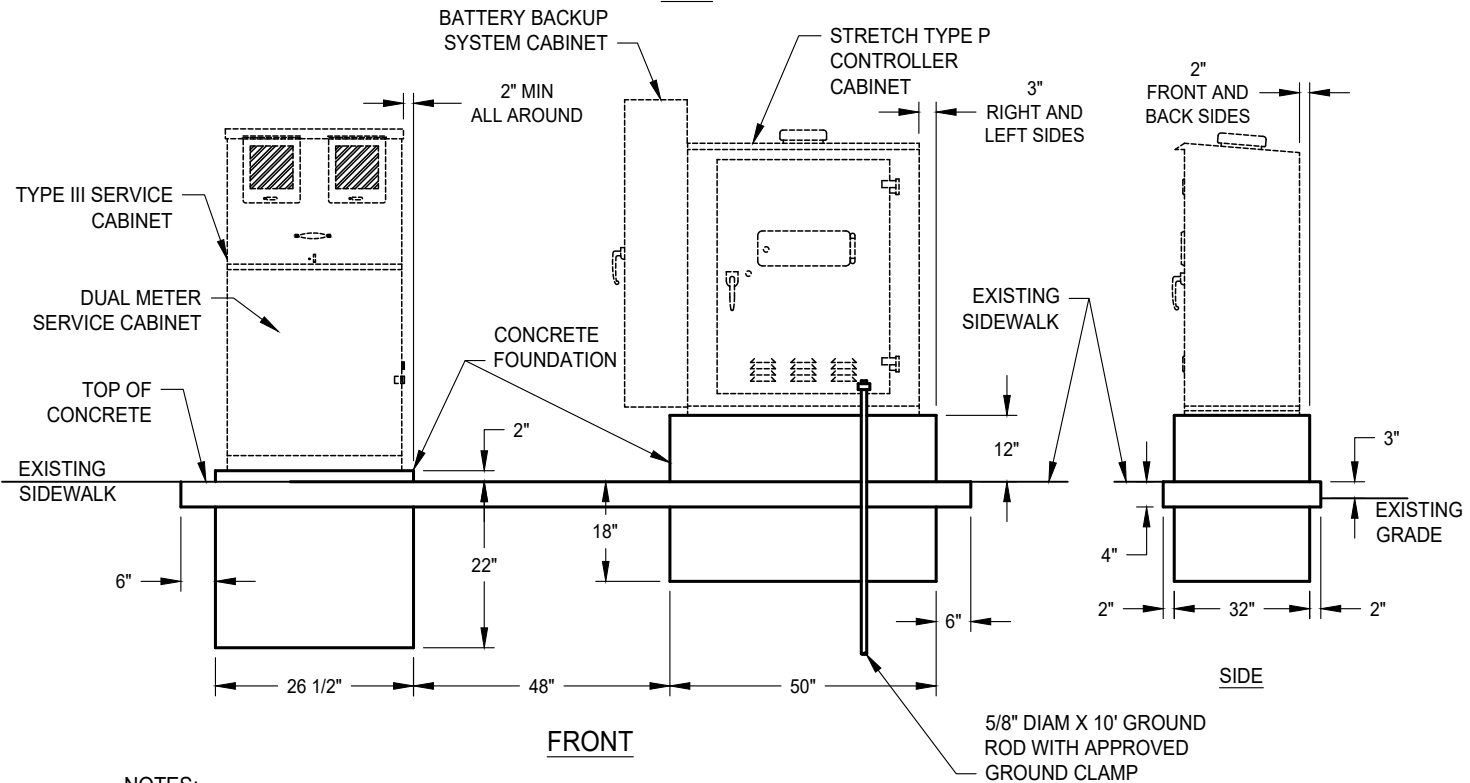
Shoab Ahrary 11/17/2025 | 5:35 PM PST  
Shoab Ahrary, PE, ESD Manager Date

Update to Standards Approved:

Kristin Parsons 11/17/2025 | 7:07 PM PST  
Kristin Parsons, PE, City Engineer Date



TOP



FRONT

SIDE

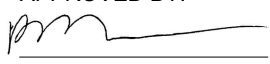
NOTES:

1. IN UNPAVED AREAS, A RAISED PORTLAND CEMENT PAD SHALL BE CONSTRUCTED IN FRONT OF THE FRONT DOOR OF THE CONTROLLER CABINET (136.5" W x 60" D x 4" THICK).
2. FRONT DOOR OF THE CONTROLLER CABINET SHALL FACE NORTH OR EAST, WHENEVER FEASIBLE. THE FINAL LOCATION OF THE CONTROLLER CABINET AND SERVICE CABINET SHALL BE APPROVED BY THE CITY ENGINEER.
3. TYPE III SERVICES CABINET SHALL BE TESCO MODEL 28-102 TESCOFLEX DUAL METER PEDESTAL.

DATE: 09/22/2017		NOT TO SCALE	
REVISION	BY	APPROVED	DATE
1	SJB	SMA	11-17-2025

CITY OF ELK GROVE - PUBLIC WORKS

**CONCRETE FOUNDATION FOR  
TYPE P CONTROLLER CABINET  
AND TYPE III SERVICE CABINET**

APPROVED BY:  
  
CITY ENGINEER

11-17-2025  
DATE

DRAWING NUMBER  
**T - 12**

