

Phone: 916.683.7111
Fax: 916.627.4400

www.elkgrovecity.org

PUBLIC WORKS
8401 Laguna Palms Way
Elk Grove, California 95758



Standards Update Transmittal

Reference Number: 2024v-09
Standards: Standard Drawing, L-28 & L-29

Update:

1. Modification to Standard Drawings:
 - a. Add a "NO TRESPASSING" sign to pipe gates in drawings L-28 and L-29.

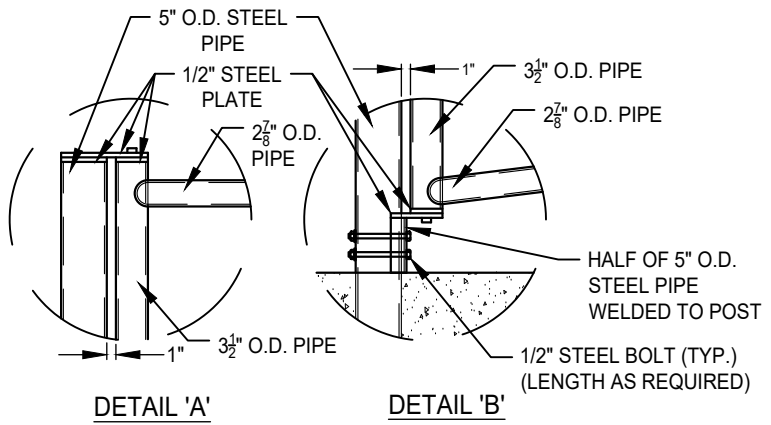
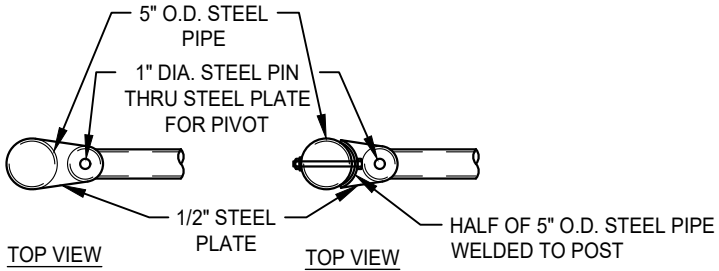
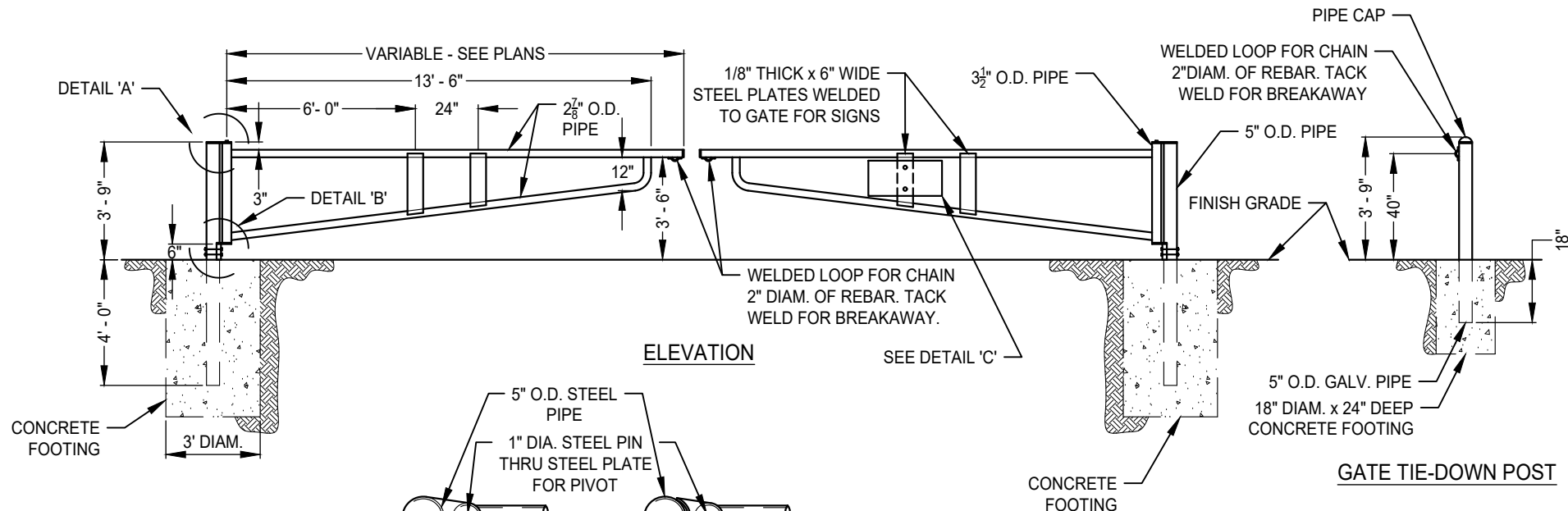
Effect of Update:

1. This update will help prohibit unauthorized access into City owned and maintained detention basins and other restricted areas.

Request for Update Initiated By: Kristin Parsons 7/17/2024
Date

Update Reviewed for Conformity and Consistency to Standards: Shoab Ahrary 3/25/2025 | 2:20 PM PDT
Shoab Ahrary, PE, ESD Manager Date

Update to Standards Approved: Kristin Parsons 3/25/2025 | 6:02 PM PDT
Kristin Parsons, PE, City Engineer Date



- NOTES:**
1. DOUBLE PIPE GATES SHALL BE USED FOR ROADWAYS OR DRIVEWAYS OVER 24' WIDE OPENING.
 2. ALL PIPES SHALL BE BLACK STEEL PIPES. OUTSIDE DIAMETER (O.D.) AND WELDED.
 3. ALL STEEL TO BE PAINTED WITH 2 COATS OF PRIMER AND SAFETY YELLOW.
 4. PROVIDE TWO (2) 5" O.D. PIPES AND INSTALL WITH CONCRETE FOOTING (18" x 24" D) FOR TIE-DOWN WHEN GATE IS OPENED.
 5. DETAIL 'C' SHALL BE AFFIXED TO PIPE GATE USING (2) THROUGH BOLTS.

24" width, 18" height


PROPERTY OF THE CITY OF ELK GROVE
NO TRESPASSING, DUMPING, OR ABANDONING OF VEHICLES
AUTHORIZED PERSONNEL ONLY
VIOLATORS WILL BE PROSECUTED
CA PENAL CODE SEC. 602 AND 374.3
CA VEHICLE CODE 22523 AND 22659

DETAIL 'C'


| DATE: 09/22/2007 | | NOT TO SCALE | |
|---------------------|-----|--------------|------------|
| REVISION | BY | APPROVED | DATE |
| 1 | SJB | SMA | 04-12-2024 |
| | | | |
| | | | |

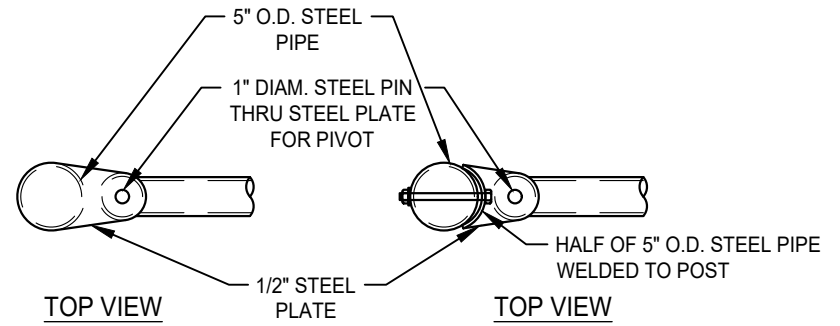
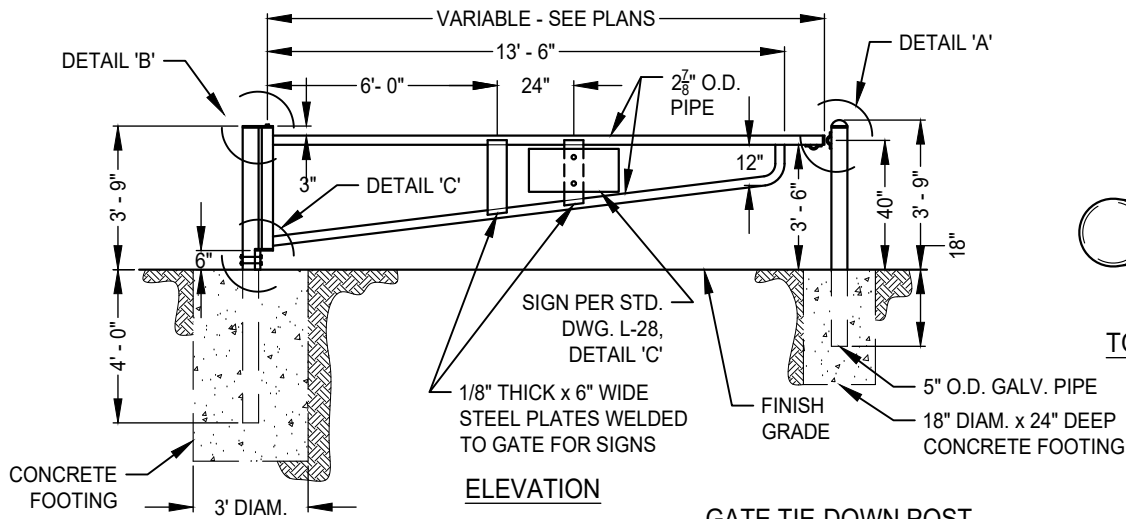
CITY OF ELK GROVE - PUBLIC WORKS

DOUBLE PIPE GATE

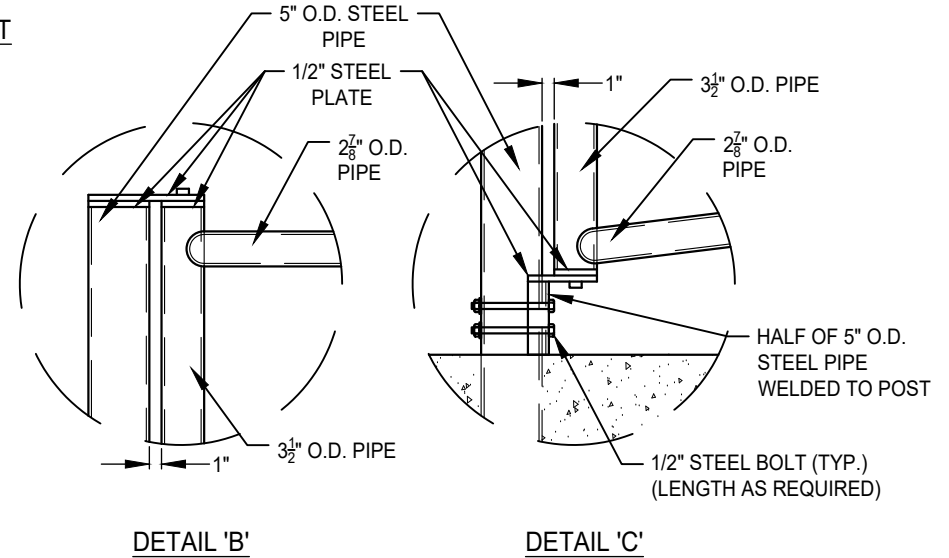
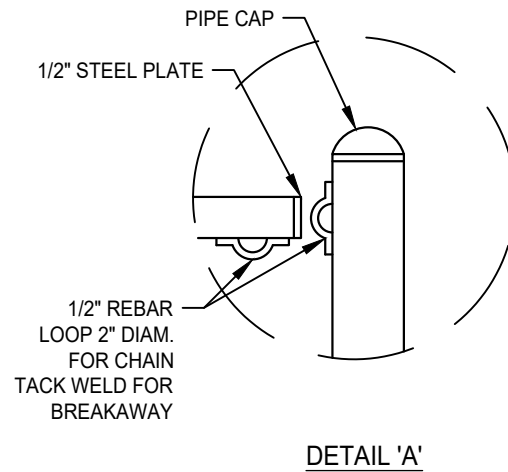
APPROVED BY:  03-25-2025
CITY ENGINEER DATE

DRAWING NUMBER
L - 28





GATE TIE-DOWN POST



NOTES:

1. SINGLE PIPE GATE SHALL BE USED FOR ROADWAYS OR DRIVEWAYS UP TO 24' WIDE MAXIMUM OPENING.
2. ALL PIPES SHALL BE BLACK STEEL PIPES. OUTSIDE DIAMETER (O.D.) AND WELDED.
3. ALL STEEL TO BE PAINTED WITH 2 COATS OF PRIMER AND SAFETY YELLOW.
4. PROVIDE TWO (2) 5" O.D. PIPES AND INSTALL WITH CONCRETE FOOTING (18" X 24" D) FOR TIE-DOWN WHEN GATE IS OPENED AND CLOSED.

| | | | |
|---------------------|-----|--------------|------------|
| DATE: 09/22/2007 | | NOT TO SCALE | |
| REVISION | BY | APPROVED | DATE |
| 1 | SJB | SMA | 04-12-2024 |
| | | | |
| | | | |

CITY OF ELK GROVE - PUBLIC WORKS

APPROVED BY:

[Signature] 03-25-2025

CITY ENGINEER

DATE

SINGLE PIPE GATE



DRAWING NUMBER

L - 29